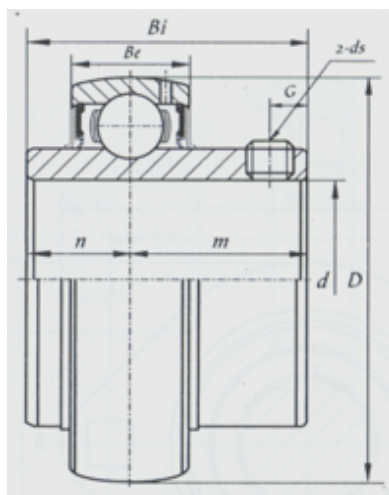


Radial insert ball bearing

UC200 Series-**UC206-18**



Bearing No.	UC206-18
r	
(mm)	28.575
(in.)	1.125
Dimensions [mm]	
D	62
B_i	38.1
B_e	19
n	15.9
m	22.2
G	5.5
ds	1/4-28UNF

Luoyang Auto Bearing Co.,Ltd-Tel:0598-3607100-Email:moore@lyautobearing.com-http://www.auto-bearing.com